

# AD9200A

## Operating Manual Genelec AD9200A Analog to Digital Converter

# GENELEC®



### Description

The Genelec AD9200A is an eight-channel analog to digital converter. It is designed to complement Genelec's DSP subwoofers enabling their use with analog line level signal sources.

The eight-channel balanced analog input uses a 25-pin DB25 connector wired to the Tascam/ProTools industry standard pinout. The digital output consists of four male XLR connectors. Each XLR output carries two AES/EBU digital audio channels with 24 bit word length and 192 kHz sample rate. The AD9200A provides the same consistent high quality found in Genelec DSP Series loudspeakers and subwoofers.

### Connecting the AD9200A

The rack mount ears on the AD9200A can be attached to the front or the back of the unit. This allows the AD9200A to be rack-installed with the front plate or the connector panel visible in the rack. The rack ears can be removed for table-top operation. A Pozidrive 1 screwdriver is needed for this.

No signal cables or connectors are supplied with AD9200A. A 5-meter 8 x XLR-to-DB25 cable loom is available as an option (order code 1550-105).

When choosing an analog input signal cable, note that the DB25 input connector is wired to the Tascam/ProTools industry standard pinout (see Picture 1). All Tascam/ProTools industry standard cables can be used.

The threads on the connector attachment screw posts are metric (M2.5) according to

the Tascam standard. When making your own cable make sure you use screws with the correct thread.

Connect the provided FW74010/12 12 V power supply cable to the AD9200A and the power supply mains cable to a mains connector.

### Using the AD9200A

Allow the AD9200A to warm up for approximately two minutes after switching-on. Noise level on the digital outputs can be higher immediately after switch-on. Noise will decrease and disappear during the warming-up period due to internal AD converter circuit calibration.

The AD9200A is equipped with two indicator LED lights on the front and back panels. These show the same information. A green light indicates a normal powered-on condition. Short flashes of red indicate analogue input clipping. Reduce the input signal level until the indicator LED light stays green.

### Maintenance

No user serviceable parts are within the unit. Any maintenance or repair of the AD9200A should only be undertaken by qualified service personnel.

### Safety considerations

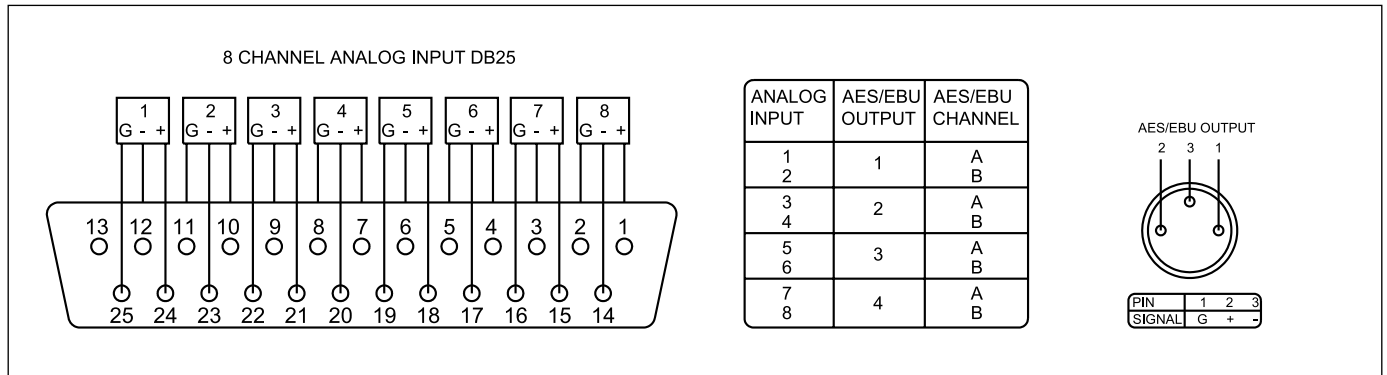
Although the AD9200A has been designed in accordance with international safety standards, the following warnings and cautions should be observed to ensure safe operation and to maintain the AD9200A under safe operating conditions:

- Servicing and adjustment must only be performed by qualified service personnel. The unit must not be opened by the user.
- The AD9200A may only be used with the FW74010/12 power supply it is delivered with. No other types of power supply are accepted.
- Do not expose the AD9200A or its power supply to water or moisture. Do not place any objects filled with liquid, such as vases on or near them.
- Keep naked flame sources such as candles away from the AD9200A and its power supply.
- The space adjacent to the converter must either be ventilated or sufficiently large to dissipate heat so that the ambient temperature does not rise above 35 degrees Celsius (95°F).
- Note that the AD9200A is not completely disconnected from the AC mains service unless mains plug or appliance coupler of the power supply is disconnected from the mains outlet. Ensure that the plug or appliance coupler of the power supply is readily operable and easily accessible for doing this.

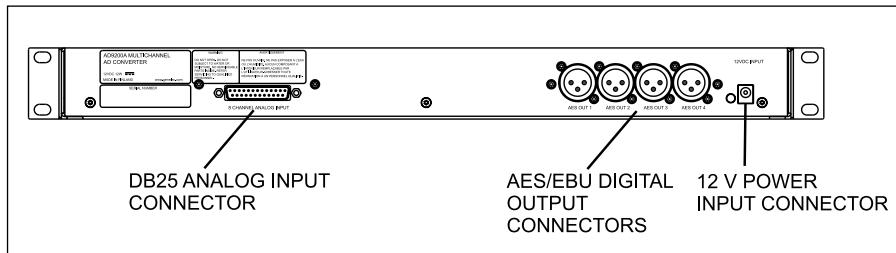
### Guarantee

This product is guaranteed for a period of two years against faults in materials or workmanship. Refer to supplier for full sales and guarantee terms.

# AD9200A Operating Manual



Picture 1. Connector pin sequence: "G" ground reference, "-" balanced signal, inverting line, "+" balanced signal, non-inverting line. Pin 13 is not connected.



Picture 2. AD9200A connector panel layout

AD9200A SYSTEM SPECIFICATIONS	
Analog input	8 channel balanced DB25 Tascam pin out
Input clip level	+21.5 dBu
Digital audio format	AES/EBU (AES3), 24 bits, 192 kHz
Dynamic range	110 dB (lin)
Dimensions H x W x D	43 x 483 x 105 mm (1 <sup>11</sup> / <sub>16</sub> x 19 x 4 <sup>1</sup> / <sub>8</sub> " )
Weight	2 kg (4.4 lb)
External power supply type	FW74010/12
Mains voltage	100 – 240 VAC, 50 – 60 Hz
Supply voltage	12 VDC
Power consumption	< 7 W

## EC Declaration of Conformity

This is to certify that the Genelec AD9200A Analog to Digital Converter conforms to the following standards:

Safety:  
IEC 60065:2001 + A1:2005 / EN 60065:2002 + A1:2006  
EMC:  
EN 55013:2001 + A1:2003  
EN 55020:2002 + A1:2003  
EN 61000-3-2:2000  
EN 61000-3-3:1995 + A1:2001

The product herewith complies with the requirements of The Low Voltage Directive 73/23/EEC and EMC Directive 2004/108/EC

Signed:   
Position: Chairman of the Board  
Date: 26-October-2007

## Compliance to FCC Rules

This device complies with Part 15 of the FCC Rules. Operation is subject to the following two conditions: (1) this device may not cause harmful interference, and (2) this device must accept any interference received, including interference that may cause undesired operation. Changes or modifications not expressly approved by the party responsible for compliance could void the user's authority to operate the equipment.